

TECHNICAL DATA

HARDWARE:

E2 HARDWARE SYSTEM
FOR INTERIOR USE ONLY.

DESCRIPTION:

1780 SERIES IS A TOP HUNG
BI-FOLD DOOR SYSTEM USING 2"
(50.8mm) STILES. TOP AND
BOTTOM RAIL SHALL BE
57.15 mm (2-1/4") HIGH.

FINISH:

ALUMINUM EXTRUSIONS
STOCKED IN MILL FINISH ONLY. OTHER
FINISHES ARE AVAILABLE UPON
REQUEST.

LIMITATIONS:

1780 SERIES IS DESIGNED TO BE TOP HUNG
MAX. WEIGHT 90 LBS (40 KG) INCLUDING GLASS
MAX. PANEL WIDTH 36" (914 mm)
MAX. PANEL HEIGHT 96" (2438 mm)
MAX. NUMBER OF PANELS 8 EACH WAY

ASSEMBLY:

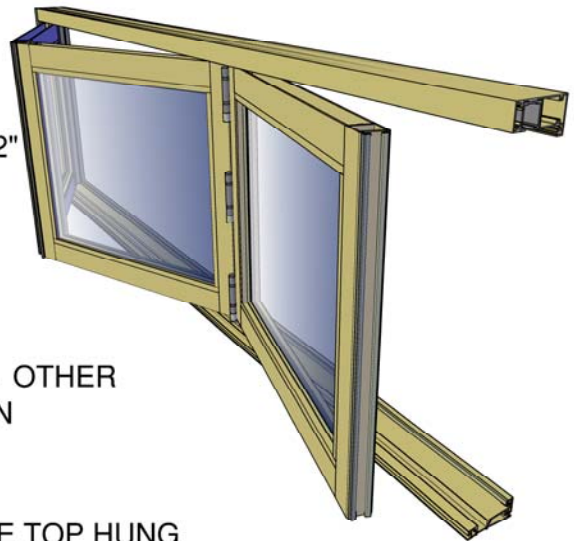
WELDED CORNER ASSEMBLY.

GLAZING:

SERIES 1780 DOORS WILL ACCEPT 3/16" (5mm) OR 3/8" (10mm) SINGLE
GLASS AND 15/16" (24mm) SEALED UNIT.

**INSTALLATION
REQUIREMENTS:**

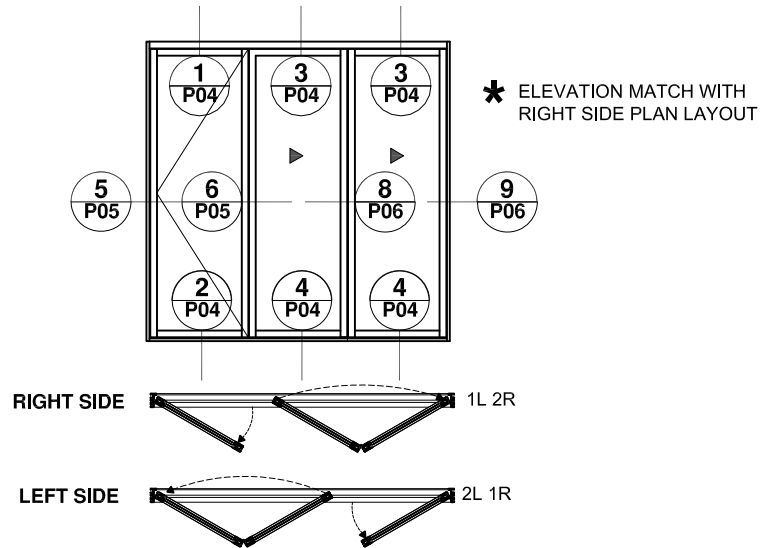
TOP TRACK MUST BE ANCHORED TO SOLID STRUCTURE ADEQUATE TO
CARRY THE TOTAL WEIGHT OF THE DOOR.
DOOR FRAME MUST BE SQUARED AND BOTTOM TRACK MUST BE
PLUMBED WITH THE TOP TRACK.



SERIES 1780

BI - FOLD DOOR SYSTEM

TYPE OF DOORS

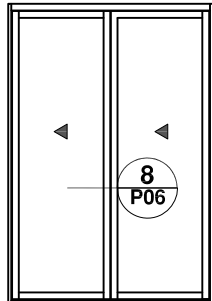


TYPE A

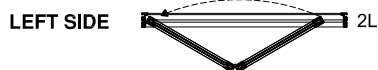
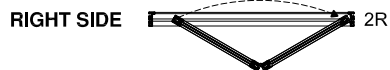
DOOR CONFIGURATION

ITEM#	LEFT SIDE	RIGHT SIDE
1	2L 1R	1L 2R
2	4L 1R	1L 4R
3	6L 1R	1L 6R
4	8L 1R	1L 8R

THIS CONFIGURATION IS NOT ACCESSIBLE FROM OUTSIDE



* ELEVATION MATCH WITH LEFT SIDE PLAN LAYOUT

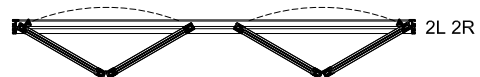
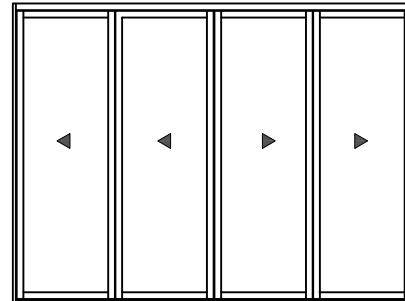


TYPE B

DOOR CONFIGURATION

ITEM#	LEFT SIDE	RIGHT SIDE
1	2L	2R
2	4L	4R
3	6L	6R
4	8L	8R

THIS CONFIGURATION IS NOT ACCESSIBLE FROM OUTSIDE



TYPE C

DOOR CONFIGURATION

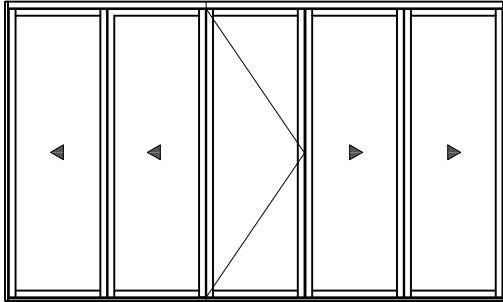
ITEM#	DOOR CONFIGURATION
1	2L 2R
2	4L 4R
3	6L 6R
4	8L 8R

* MAXIMUM NUMBER OF PANELS: 8 PANELS
FOLD TO ONE SIDE 54 ft (16.45m) TOTAL

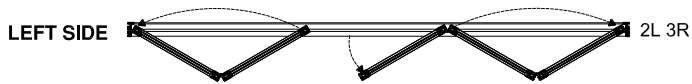
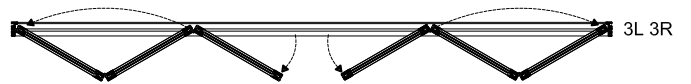
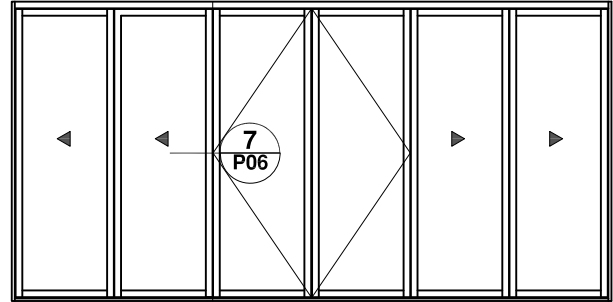
SERIES 1780

BI - FOLD DOOR SYSTEM

TYPE OF DOORS



* ELEVATION MATCH WITH LEFT SIDE PLAN LAYOUT



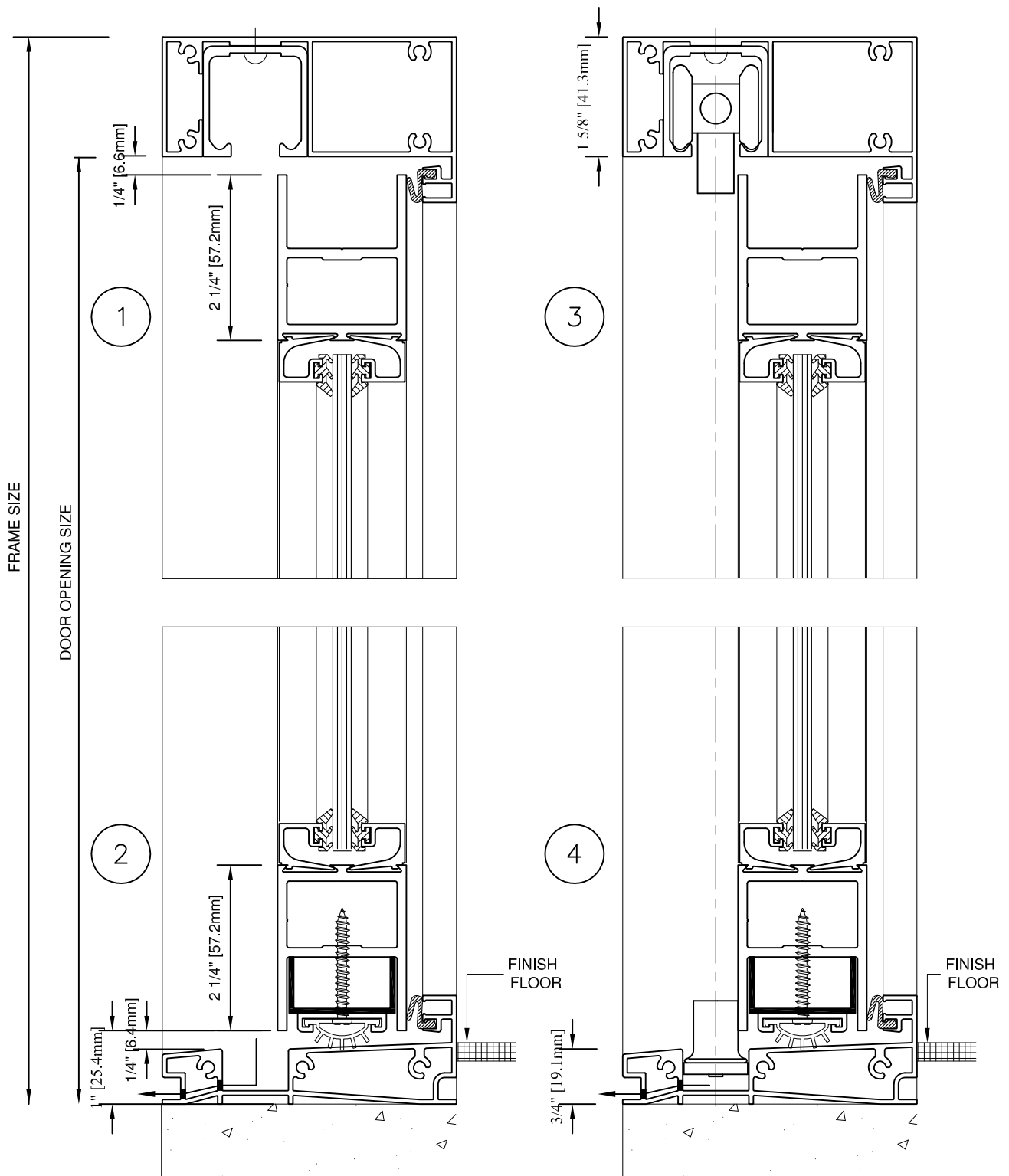
TYPE D		
DOOR CONFIGURATION		
ITEM#	LEFT SIDE	RIGHT SIDE
1	2L 3R	3L 2R
2	2L 5R	5L 2R
3	2L 7R	7L 2R
4	4L 3R	3L 4R
5	4L 5R	5L 4R
6	4L 7R	7L 4R
7	6L 3R	3L 6R
8	6L 5R	5L 6R
9	6L 7R	7L 6R
10	8L 3R	3L 8R
11	8L 5R	5L 8R
12	8L 7R	7L 8R

TYPE E	
ITEM#	DOOR CONFIGURATION
1	3L 3R
2	5L 5R
3	7L 7R

* MAXIMUM NUMBER OF PANELS: 8 PANELS
FOLD TO ONE SIDE 54 ft (16.45m) TOTAL

SERIES 1780

BI-FOLD DOOR



TYPICAL DETAILS

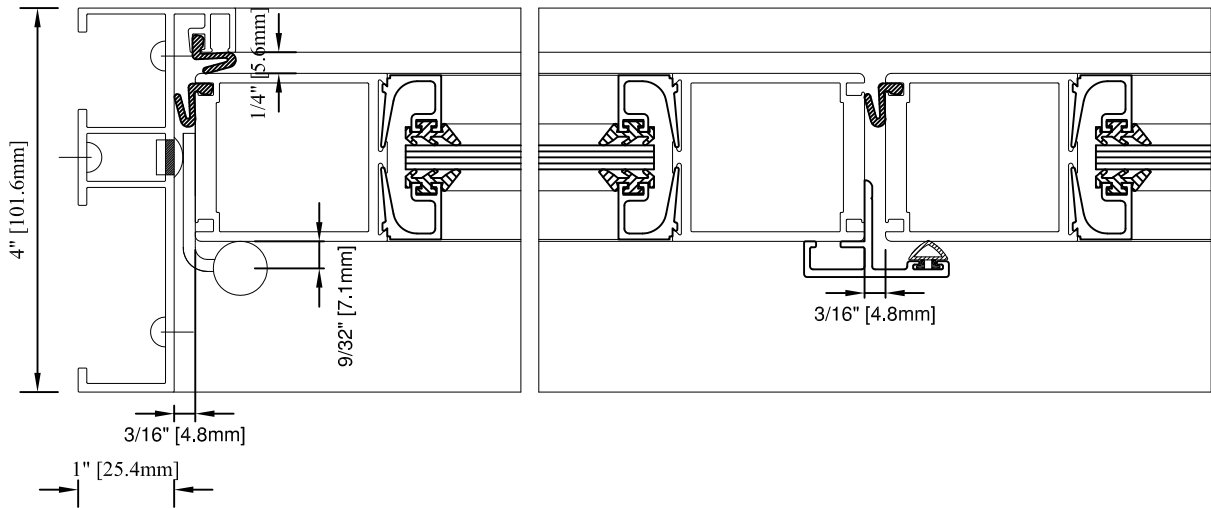
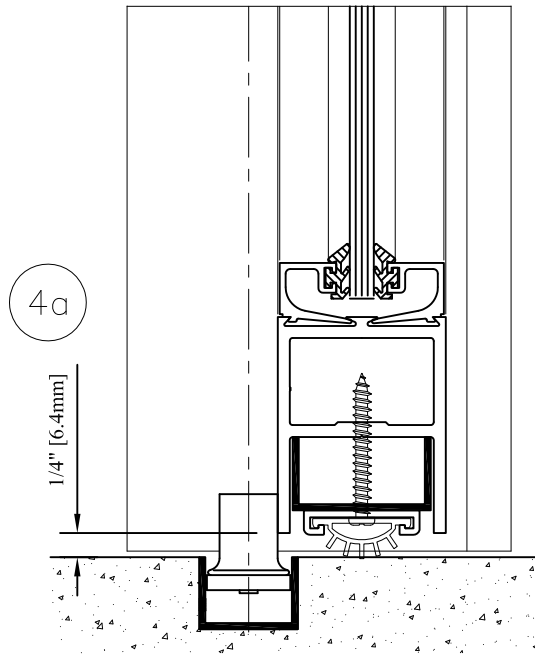
Scale 1:2

March 10th, 2010

P04

SERIES 1780

BI-FOLD DOOR



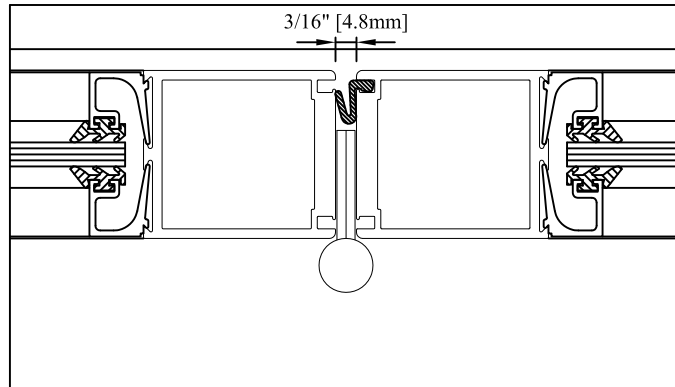
Scale 1:2

April 04, 2012

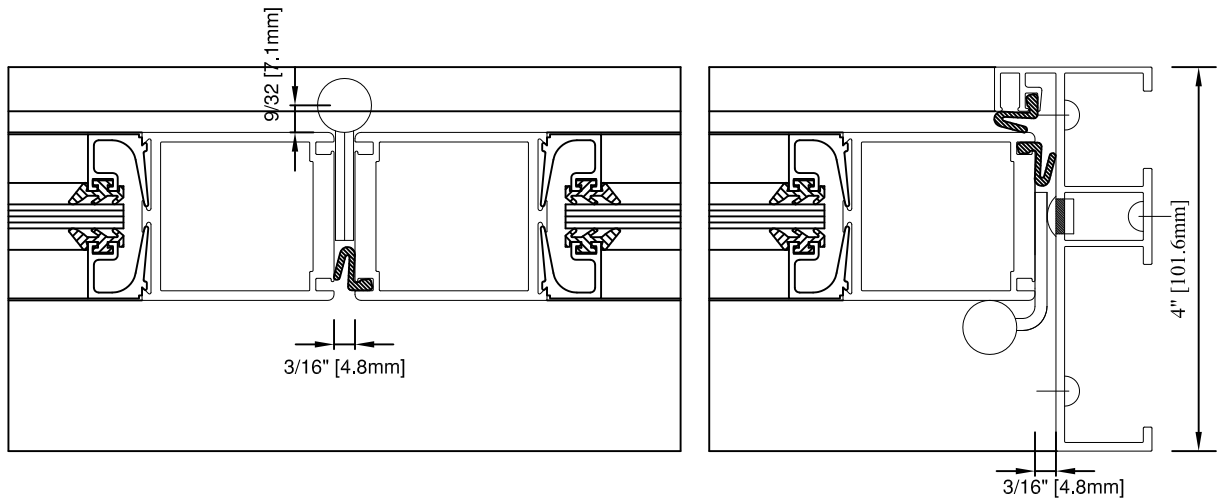
P05

SERIES 1780

BI-FOLD DOOR



7



8

9

TYPICAL DETAILS

Scale 1:2

March 10th, 2010

P06