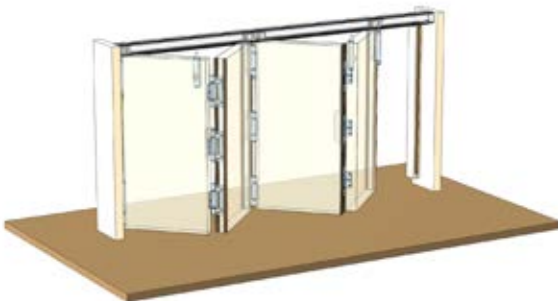
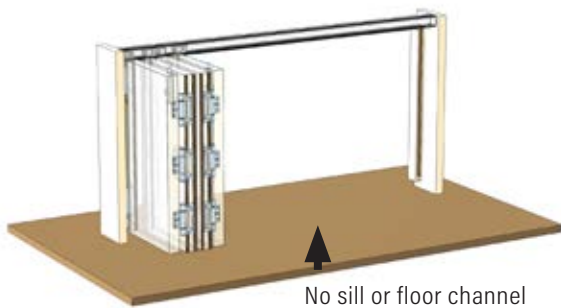


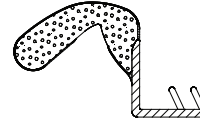
## E2I SPECIFICATIONS

### E2i features include:

- » Laterally adjustable bottom pivot
- » All stainless steel construction
- » No need for costly tile and concrete cutting
- » Complete horizontal and vertical adjustment



### Weathersealing (optional)



**EC421** Weatherseal for sill, jamb and header.  
Black, brown or white



**EC417** Weatherseal for between doors.  
Black or brown.

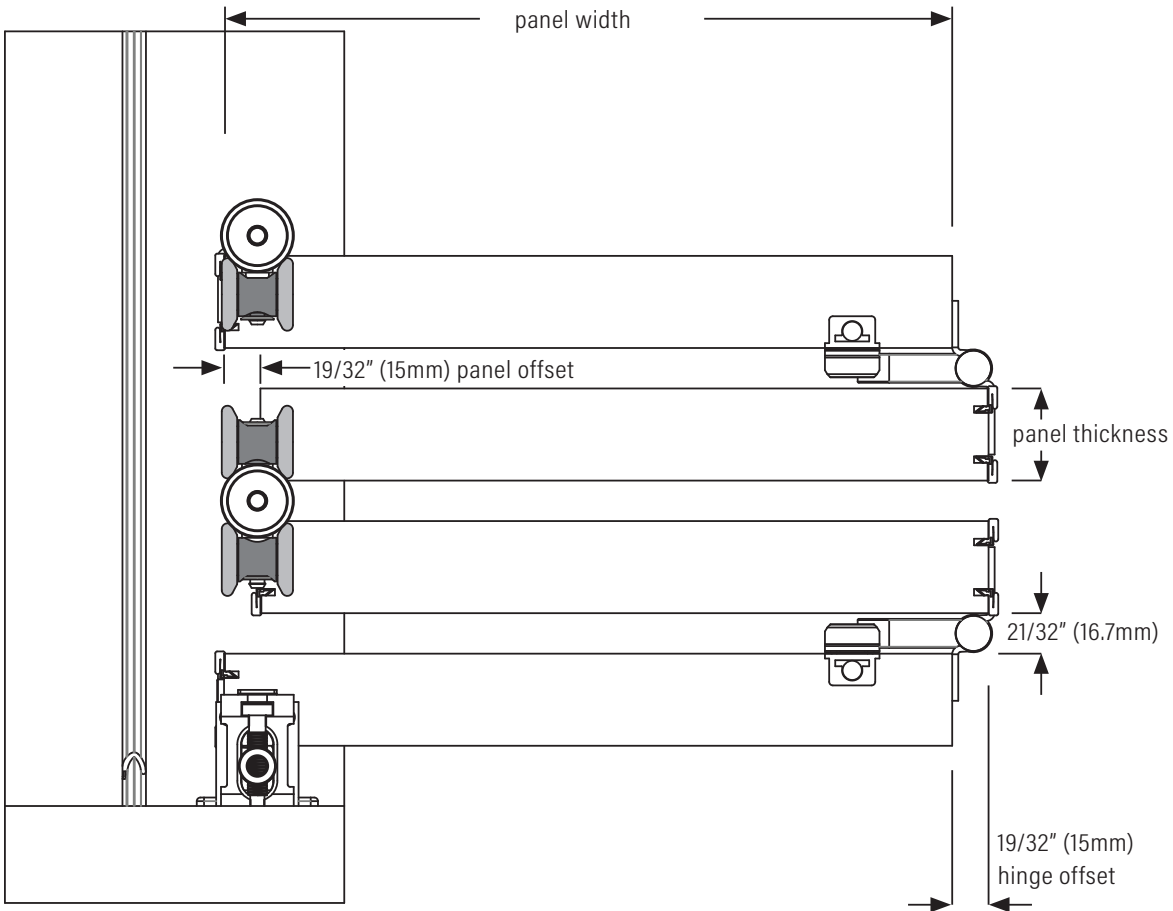
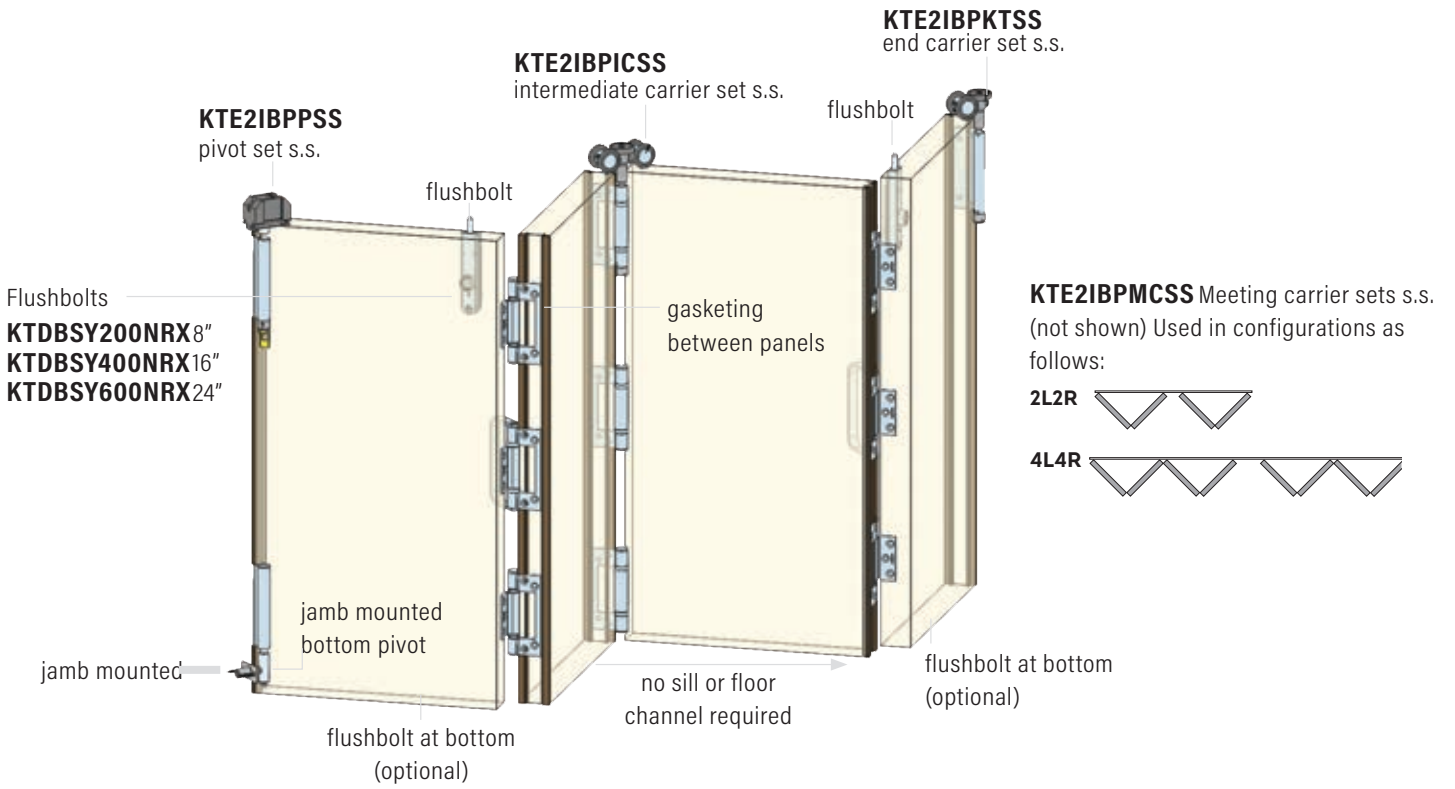


**EC369A7145BL** Aluminum T-slot extrusion  
with black pile insert, for bottom of doors



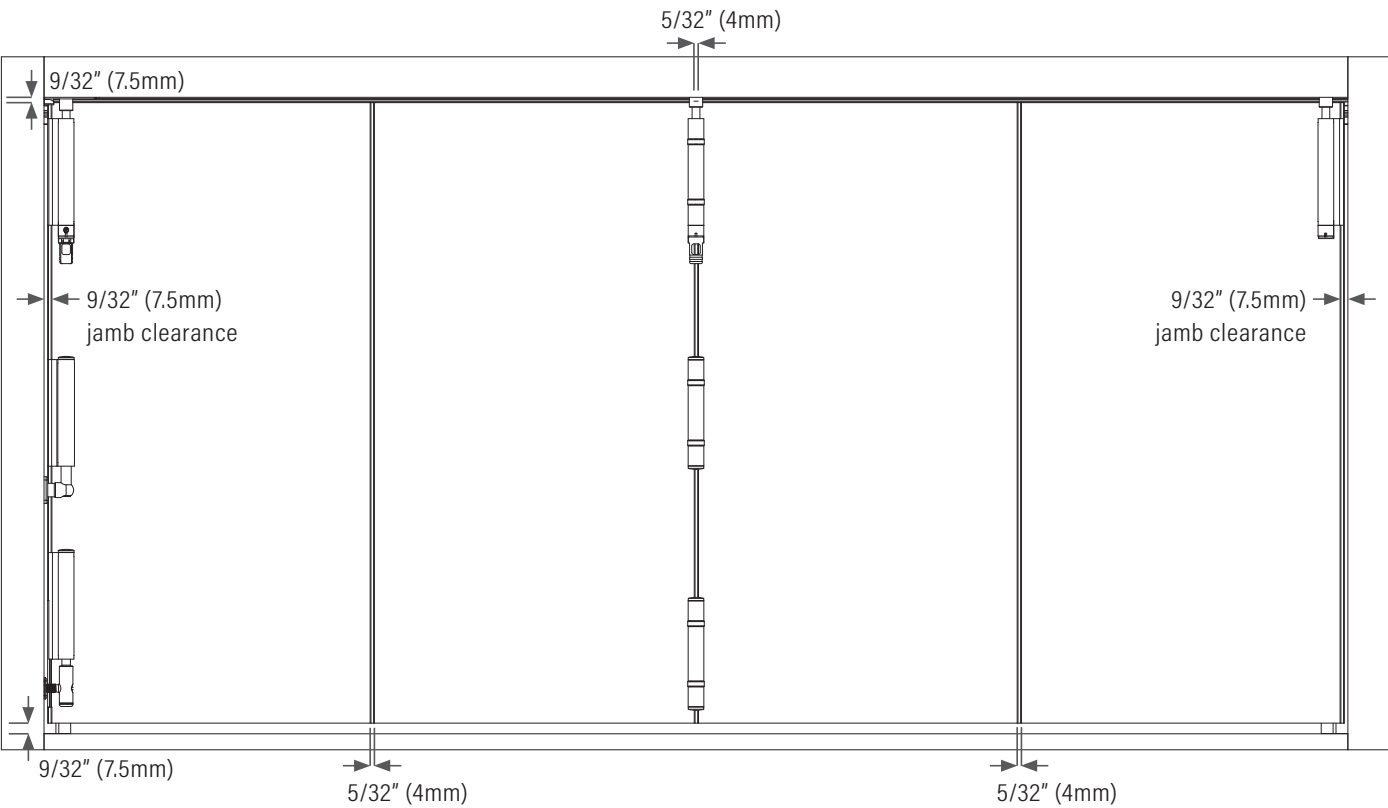
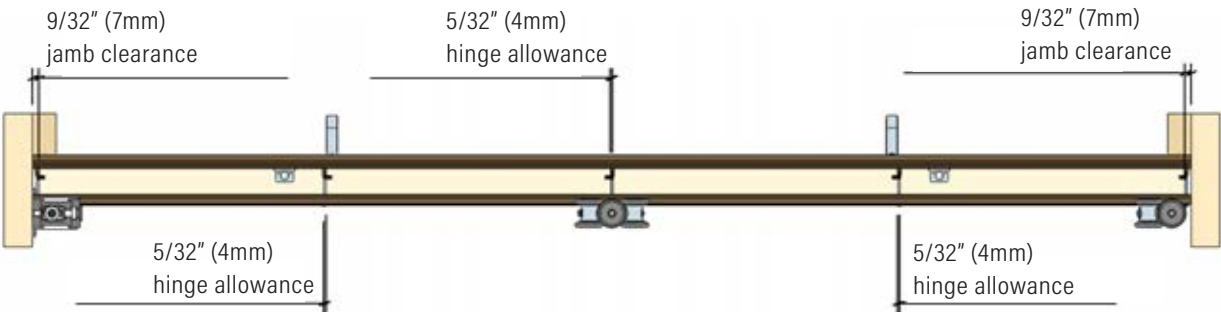
**EC415BL** Black  
weatherseal for between doors, use on clad doors  
where kerf slot is not possible

# E2I TOP VIEW

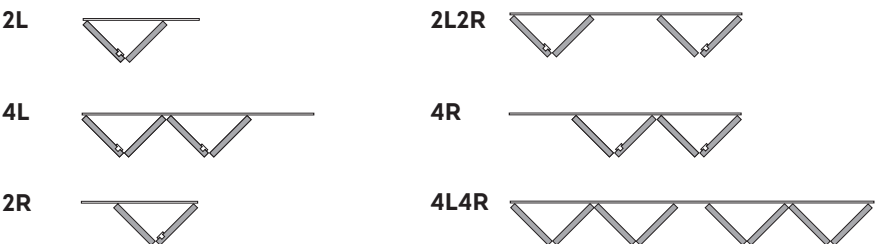


# E2I ARCHITECTURAL DETAIL

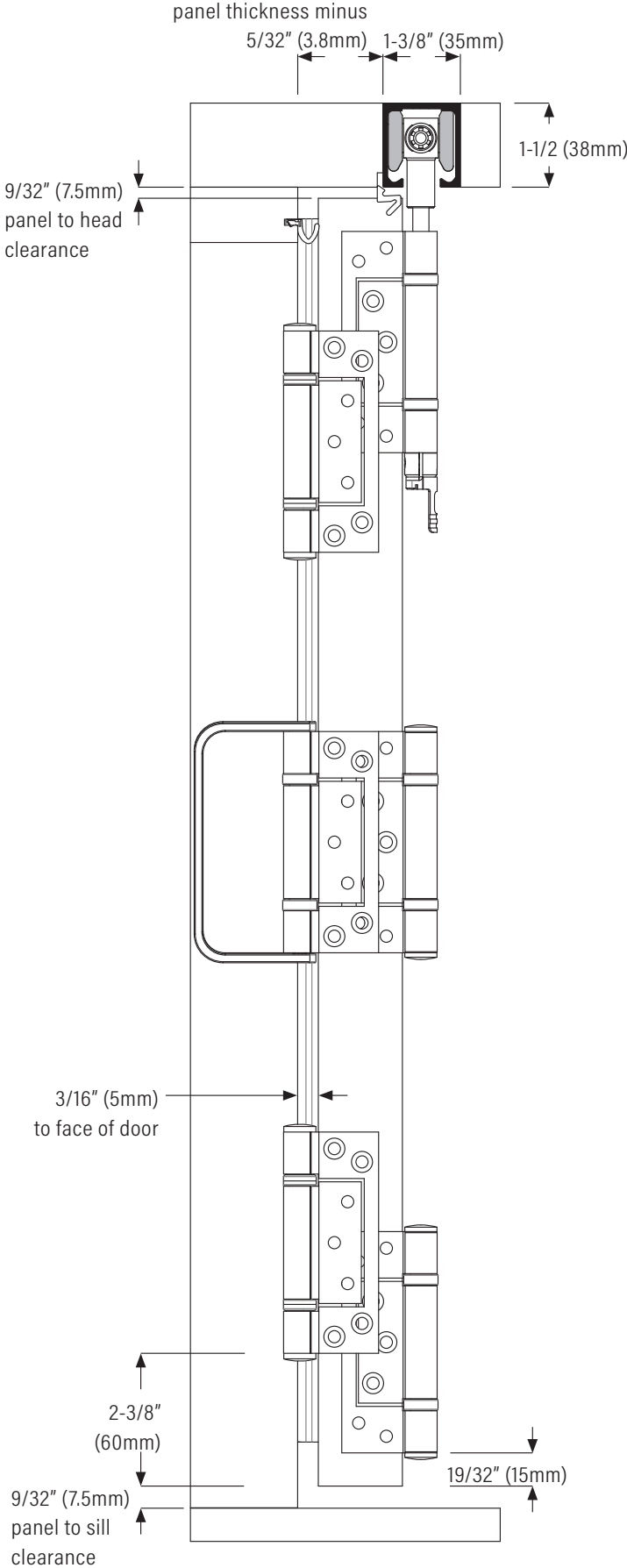
Only one finish available for the KTE2i Hinges: Brushed Stainless Steel



E2i only available for the following configurations

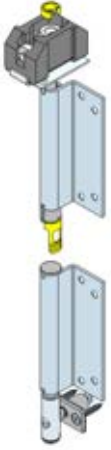


# E2I CROSS SECTION



# E2I COMPONENTS

**KTE2IBPPSS**  
Pivot set, brushed stainless steel



**KTE2IBPICSS**  
Intermediate carrier set, brushed stainless steel



**KTE2HSS**  
Hinge set (flat), brushed stainless steel



**KTE22HHSS**  
Hinge set (offset), brushed stainless steel



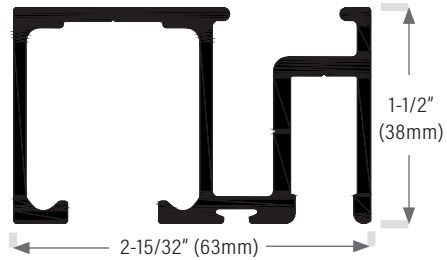
**KTE2IBPKTSS**  
End carrier set, brushed stainless steel



**KTE2IBPMCSS**  
Meeting carrier set, brushed stainless steel

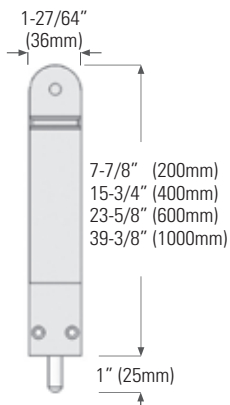


## Top Track with flushbolt pin channel



**KT49C** clear anodized  
**KT49D** bronze anodized  
Lengths available:  
111", 147", 183", 222", 294" (2819mm, 3734mm, 4648mm, 5639mm, 467mm)

## Flushbolts



Round end, Symphony style 1" (25.4mm) throw length.

### Finishes:

Bright gold to match pvd brass hardware  
bronze powder coat on aluminum to match the pvd bronze hardware &  
brushed metallic to match stainless steel hardware

# FLUSHBOLTS FOR OUTSWING FOLDING DOORS: DBOT SERIES

**Max wind load:** 450kg (990lb) force

**Min door thickness:** 1-3/4" (44.5mm)

**Throw length:** 1" (25mm)

**Finishes:**

Bronze powder coat on aluminum to match pvd bronze finish on E3 hinges.

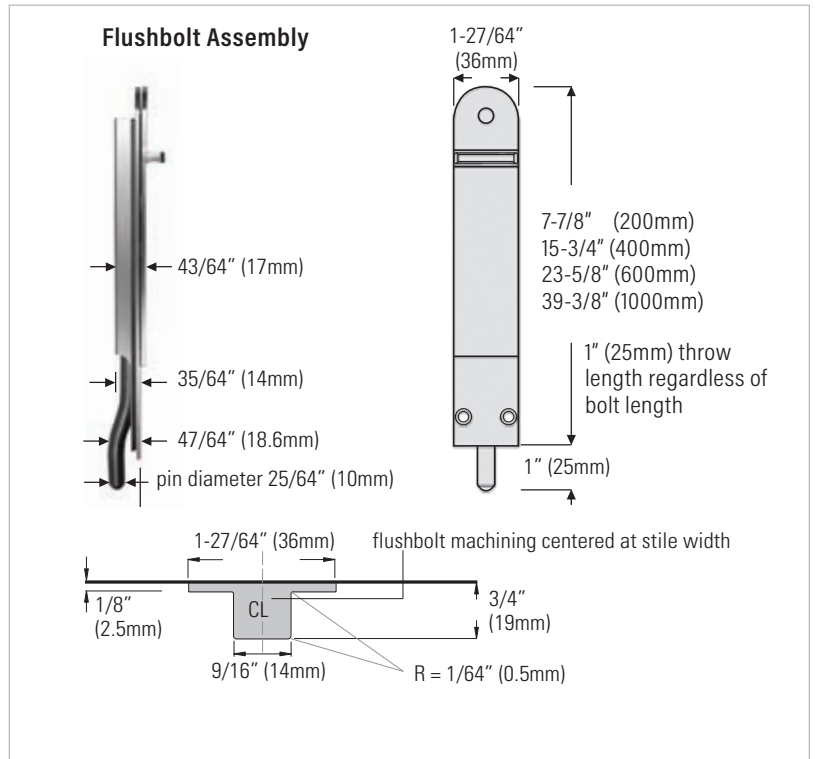
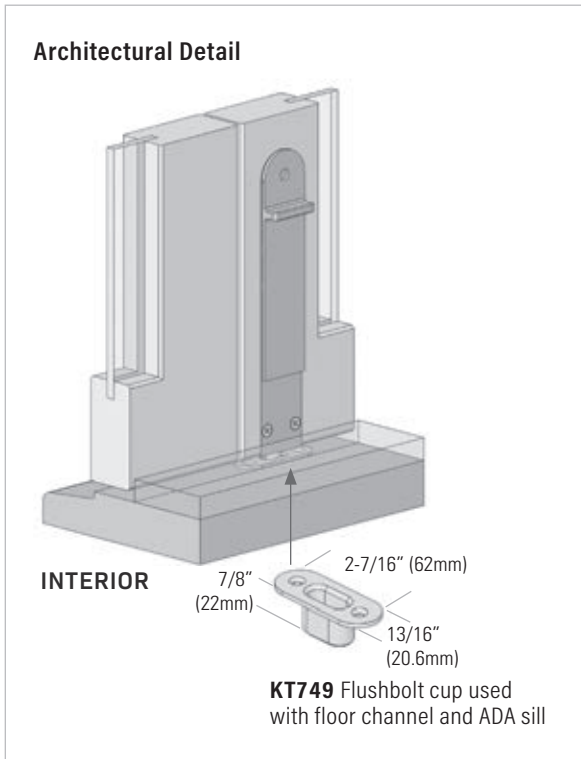
Brushed metallic on aluminum to match stainless steel finish on E3 hinges.

\*Bright gold (TG) finish on aluminum to match pvd brass finish on E3 hinges.

\*Bright gold (TG) finish is custom order, call for manufacturing time.



The flush-mounted flushbolts, rounded style and 1" (25mm) throw are designed for use with sliding and folding doors. This flushbolt will resist high winds and is rated to resist a 250kg load in Western Red Cedar and 450kg in Amoora. The bolts are easily installed with a dedicated router bit and are available in three finishes.



**Actual machining for flushbolts (face plate)**

1-27/64" x 7-7/8" (36mm x 200mm)	1-27/64" x 23-5/8" (36mm x 600mm)
1-27/64" x 15-3/4" (36mm x 400mm)	1-27/64" x 39-3/8" (36mm x 1000mm)

SELECT FINISH	PRODUCT NUMBER	DESCRIPTION
bronze powder coat finish on aluminum	<b>KTDBOT200NRQ</b>	8" (200mm) 1" throw, round end
	<b>KTDBOT400NRQ</b>	16" (400mm) 1" throw, round end
	<b>KTDBOT600NRQ</b>	24" (600mm) 1" throw, round end
	<b>KTDBOT1000NRQ</b>	39" (1000mm) 1" throw, round end
brushed metallic finish on aluminum to match stainless steel	<b>KTDBOT200NRX</b>	8" (200mm) 1" throw, round end
	<b>KTDBOT400NRX</b>	16" (400mm) 1" throw, round end
	<b>KTDBOT600NRX</b>	24" (600mm) 1" throw, round end
	<b>KTDBOT1000NRX</b>	39" (1000mm) 1" throw, round end
bright gold finish on aluminum	<b>KTDBOT200NRTG</b>	8" (200mm) 1" throw, round end
	<b>KTDBOT400NRTG</b>	16" (400mm) 1" throw, round end
	<b>KTDBOT600NRTG</b>	24" (600mm) 1" throw, round end

\*Bright gold (TG) finish is custom order, call for manufacturing time.



Flushbolt cup used with floor channel and ADA sill

**KT749BRONZE** bronze powder coat  
**KT749DCH** Satin chrome



**KTE2DBFORB** Router bit for flushbolts (dedicated router bits are available)



Strike plate for header  
**KTDBSPQ** bronze powder coat  
**KTDBSPS** Satin chrome

**PLEASE NOTE:** Flushbolt housing & slide bar are manufactured from aluminum components

# FLUSHBOLTS FOR OUTSWING FOLDING DOORS: DBSY SERIES

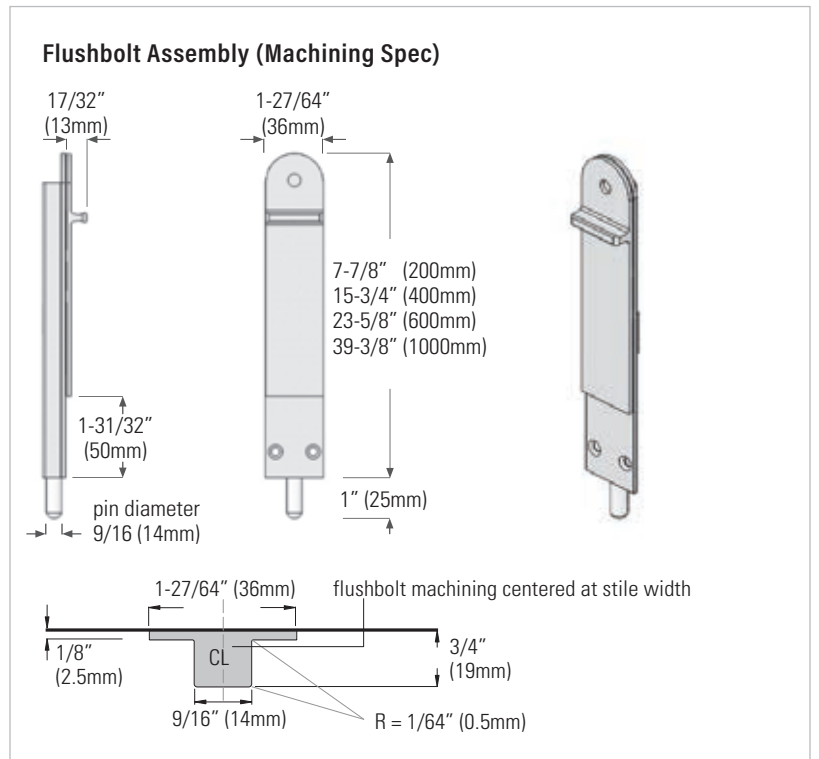
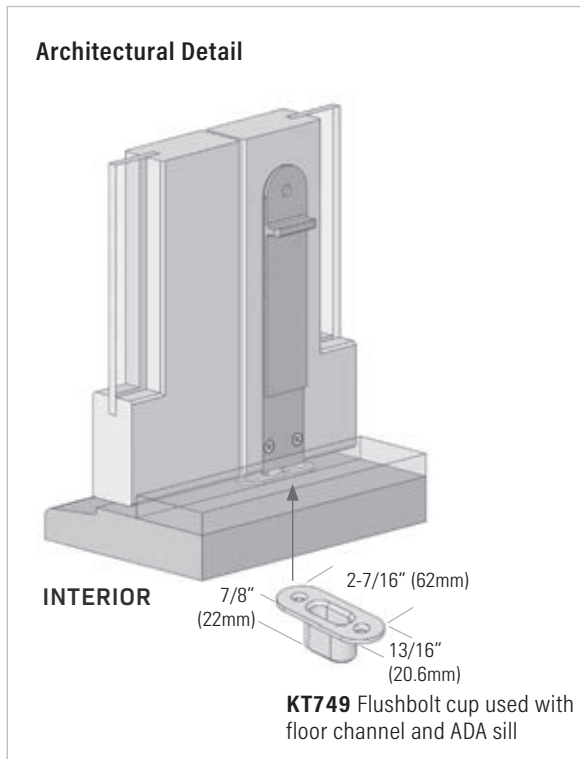
**Max wind load:** 450kg (990lb) force  
**Min door thickness:** 1-3/4" (44.5mm)  
**Bolt lengths:** 8", 16", 24", 39" (200mm, 400mm, 600mm, 1000mm)

**Finishes:**  
 Bright gold to match pvd brass hardware  
 bronze powder coat on aluminum to match the pvd bronze hardware &  
 brushed metallic to match stainless steel hardware

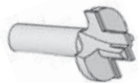


## Symphony™

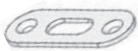
The flush-mounted flushbolts, rounded style and 1" (25mm) throw are designed for use with sliding and folding doors. Symphony™ will resist high winds and is rated to resist a 250kg load in Western Red Cedar and 450kg in Amoora. The bolts are easily installed with a dedicated router bit and are available in three finishes.



Flushbolt cup used with floor channel and ADA sill  
**KT749BRONZE** bronze powder coat  
**KT749DCH** Satin chrome



**KTE2DBFORB** Router bit for flushbolts (dedicated router bits are available)



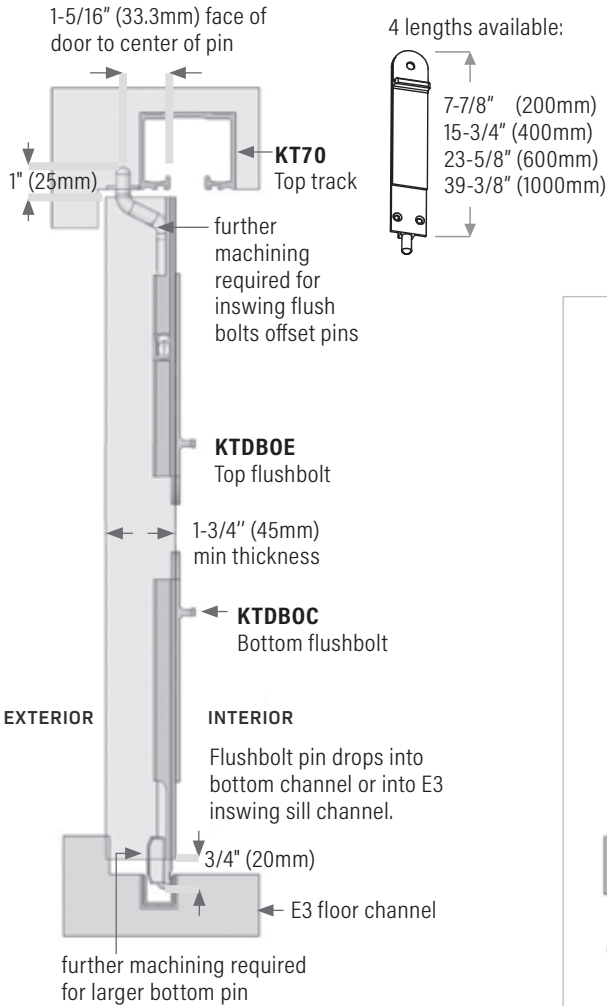
Strike plate for header  
**KTDBSPQ** bronze powder coat  
**KTDBSPS** Satin chrome

**PLEASE NOTE:** Flushbolt housing & slide bar are manufactured from aluminum components

SELECT FINISH	PRODUCT NUMBER	DESCRIPTION
powder coat finish bronze over aluminum	<b>KTDBSY200NRQ</b>	8" (200mm) 1" throw, round end
	<b>KTDBSY400NRQ</b>	16" (400mm) 1" throw, round end
	<b>KTDBSY600NRQ</b>	24" (600mm) 1" throw, round end
	<b>KTDBSY1000NRQ</b>	39" (1000mm) 1" throw, round end
brushed metallic finish over aluminum to match stainless steel	<b>KTDBSY200NRX</b>	8" (200mm) 1" throw, round end
	<b>KTDBSY400NRX</b>	16" (400mm) 1" throw, round end
	<b>KTDBSY600NRX</b>	24" (600mm) 1" throw, round end
	<b>KTDBSY1000NRX</b>	39" (1000mm) 1" throw, round end
bright gold finish over aluminum	<b>* KTDBSY200NRTG</b>	8" (200mm), 1" throw, round end
	<b>* KTDBSY400NRTG</b>	16" (400mm) 1" throw, round end
	<b>* KTDBSY600NRTG</b>	24" (600mm) 1" throw, round end

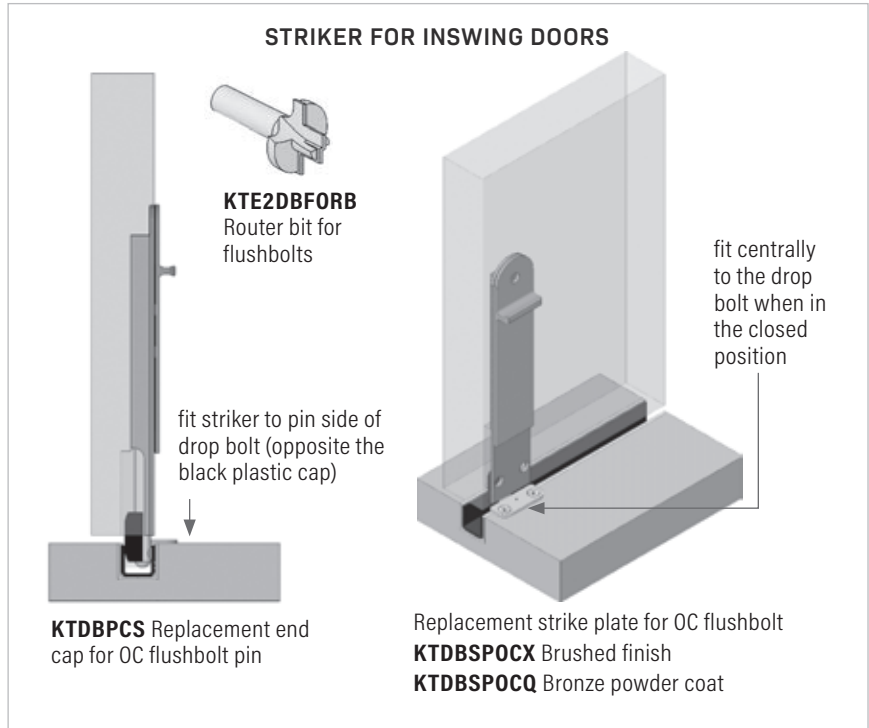
**\*Bright gold ( TG) finish is custom order, call for manufacturing time.**

# FLUSHBOLTS FOR INSWING FOLDING DOORS: DBOE & DBOC SERIES

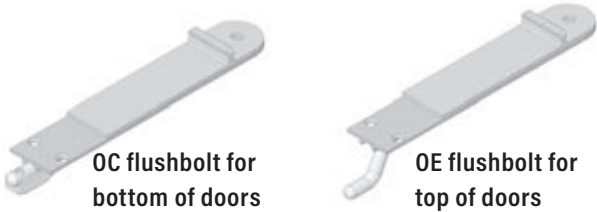


**Minimum door thickness:** 1-3/4" (44.5mm)  
**DBOC Throw length:** 3/4" (20mm) · **DBOE Throw length:** 1" (25mm)

**Finishes:**  
 Bronze powder coat on aluminum to match pvd bronze finish on E3 hinges.  
 Brushed metallic on aluminum to match stainless steel finish on E3 hinges.  
 \*Bright gold (TG) finish on aluminum to match pvd brass finish on E3 hinges.  
**\*Bright gold (TG) finish is custom order, call for manufacturing time.**



**Actual machining for flushbolts (face plate)**  
 1-27/64" x 7-7/8" (36mm x 200mm)  
 1-27/64" x 15-3/4" (36mm x 400mm)  
 1-27/64" x 23-5/8" (36mm x 600mm)  
 1-27/64" x 39-3/8" (36mm x 1000mm)



**Strike plate for header**  
 KTDBSPQ bronze powder coat  
 KTDBSPS Satin chrome

**Router bit for flushbolts**  
 KTE2DBFORB

PRODUCT CODE	DESCRIPTION
KTDBOC200NRQ	8" (200mm) concealed 3/4" FB, throw
KTDBOE200NRQ	8" (200mm) 1" throw, round end
KTDBOE400NRQ	16" (400mm) 1" throw, round end
KTDBOE600NRQ	24" (600mm) 1" throw, round end
KTDBOE1000NRQ	39" (1000mm) 1" throw, round end
KTDBOC200NRX	8" (200mm) concealed FB, 3/4" throw
KTDBOE200NRX	8" (200mm) 1" throw, round end
KTDBOE400NRX	16" (400mm) 1" throw, round end
KTDBOE600NRX	24" (600mm) 1" throw, round end
KTDBOE1000NRX	39" (1000mm) 1" throw, round end
* KTDBOC200NRTG	8" (200mm) concealed FB, 3/4" throw
* KTDBOE200NRTG	8" (200mm) 1" throw, round end
* KTDBOE400NRTG	16" (400mm) 1" throw, round end
* KTDBOE600NRTG	24" (600mm) 1" throw, round end
* KTDBOE1000NRTG	39" (1000mm) 1" throw, round end

**\*Bright gold (TG) finish is custom order, call for manufacturing time.**

**PLEASE NOTE:** Flushbolt housing & slide bar are manufactured from aluminum components

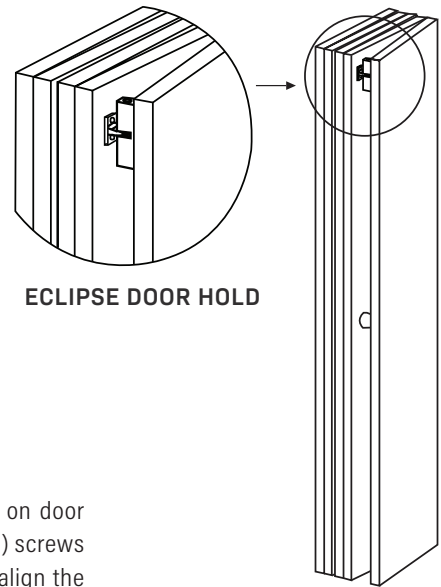


## DOOR HOLDS

### Eclipse KT740 Door Hold For Exterior Folding Doors

The Eclipse Door Hold is used to secure or hold the active swing door and / or doors in place to prevent possible damage in the event of wind slamming one panel into the next panel.

PRODUCT #	FINISH	MATERIAL	QUANTITY
<b>KT740DHC</b>	Clear anodized	Aluminum	1 per pack
<b>KT740DHD</b>	Bronze anodized	Aluminum	1 per pack

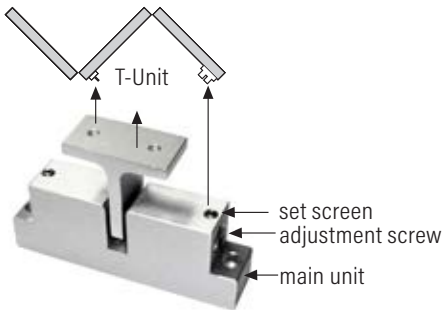


ECLIPSE DOOR HOLD

Stainless steel screws supplied with clear anodized unit.  
 Stainless steel screws (bronze colored) supplied with bronze anodized unit.

#### Installation Instructions

Install unit as shown in picture, typically at the top of the door panels. Centre main unit on door stile, 1 to 2 inches (25 to 50mm) from the top edge of door. Fasten in place with 1-1/2" (38mm) screws supplied. Fold all door panels to one side or both sides (depending on configuration) and align the T-unit with slot into the main unit and fasten in place with 1-1/2" (38mm) screws supplied. Adjust tension screws accordingly and lock in place with set screws (1/8" allen key supplied). Make sure the adjustment tension screws are evenly balanced; this will ensure that the T-unit slides into the slot of the main unit evenly.



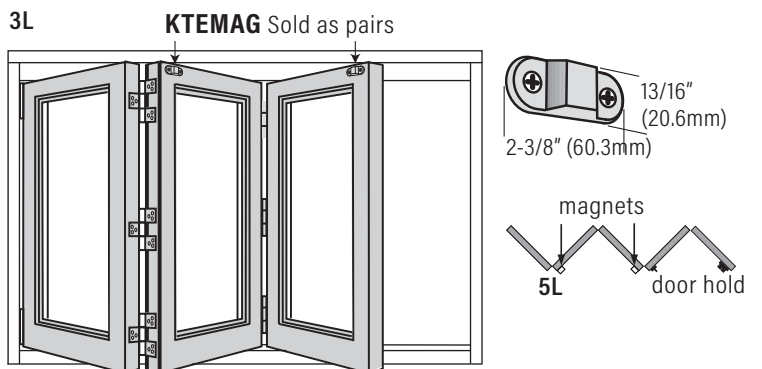
### Door Hold Magnets (optional)



- KTDCAS** Satin Aluminum Finish
- KTDCAOL** Black Finish
- KTDCATG** Brass Finish

### KTEMAG Magnets

For holding the door panels in the open position

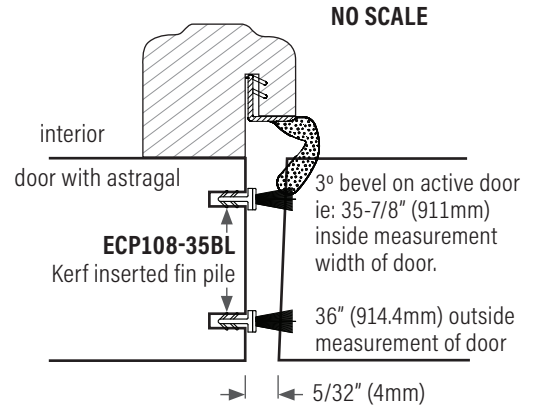
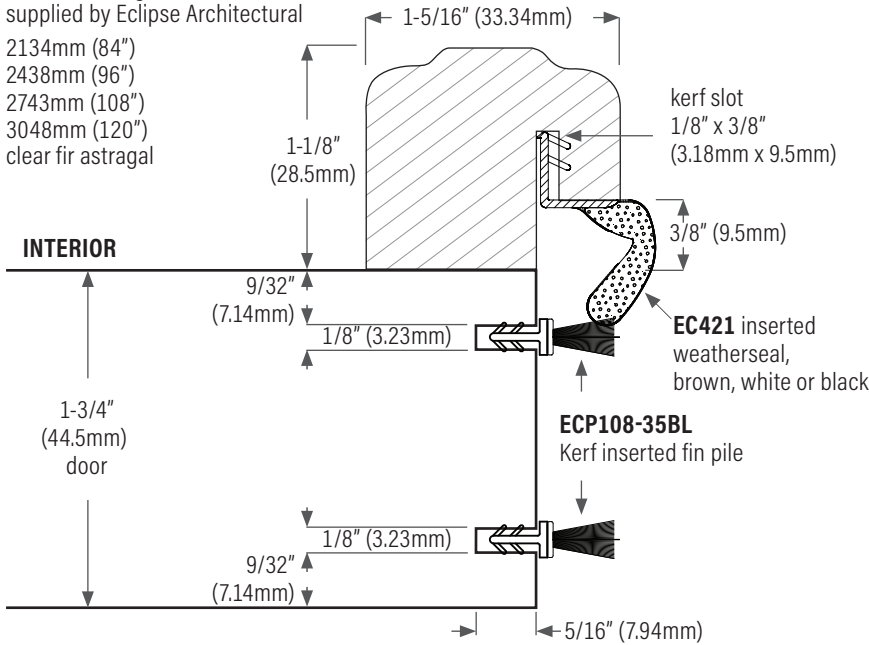


# EC190C WOOD ASTRAGAL DETAIL FOR ECLIPSE FOLDING SYSTEM

## Triple Seal For Superior Sealing Performance

**NOTE:** For ease of mounting all hardware, it is recommended to use square edge doors.

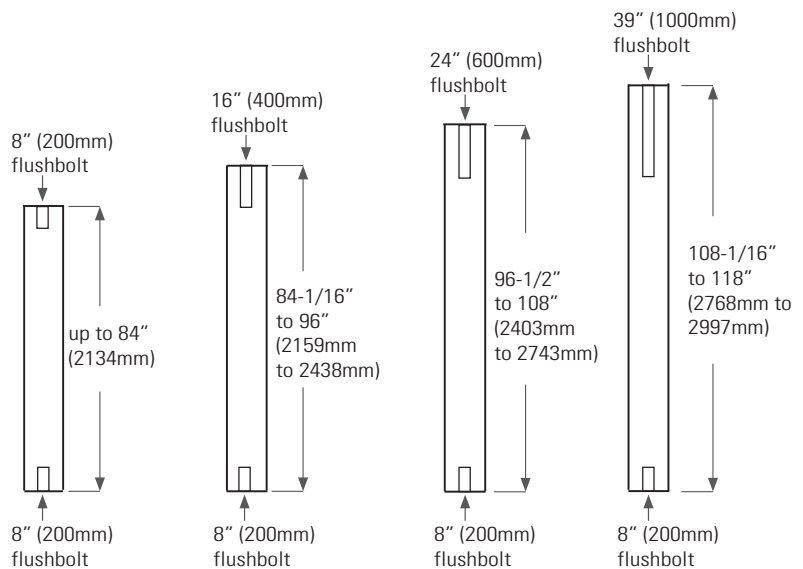
**KT190C** astragal  
 supplied by Eclipse Architectural  
 2134mm (84")  
 2438mm (96")  
 2743mm (108")  
 3048mm (120")  
 clear fir astragal



## FLUSHBOLT PLACEMENT

### Suggested Flushbolt Lengths For Door Heights 80" to 120" (2.032m to 3.048m)

**NOTE:** End user may require longer flushbolts for top of doors for easier reach. When using E2 hardware for folding windows, top flushbolt length must be specified.



**NO SCALE**